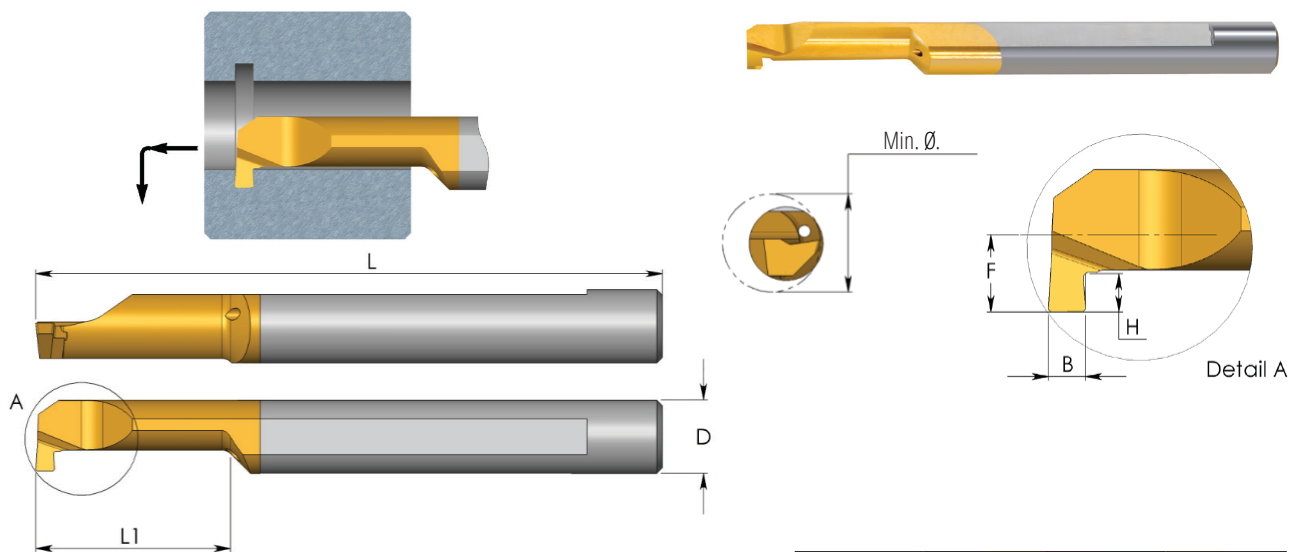


## MGR nůž Zapichování



Jakost	P	M	K	N	S	H
K20		○	○	●	○	
BXC	●	●	●	○	●	●
BMK	●	●	●	○	●	●

D	Objednací číslo	L	L1	B		H	F	Min. Ø.	Držák
				mm	palce				
4.0	<b>MGR 2 B0.5 L10</b>	51	10	0.5	.020	0.5	0.9	2.1	SIM ...H4
3.0	<b>MGR 3 B0.5 L10</b>	39	10	0.5	.020	0.5	1.3	3.1	SIM ...H3
	<b>MGR 3 B0.7 L10</b>	39	10	0.7	.028	0.6	1.3	3.1	
4.0	<b>MGR 4 B0.5 L10</b>	51	10	0.5	.020	0.5	1.7	4.1	SIM ...H4
	<b>MGR 4 B0.5 L15</b>	51	15	0.5	.028	0.5	1.7	4.1	
	<b>MGR 4 B0.7 L10</b>	51	10	0.7	.028	0.6	1.7	4.1	
	<b>MGR 4 B0.79 L15</b>	51	15	0.79	.031	0.9	1.7	4.1	
	<b>MGR 4 B0.79 L22</b>	51	22	0.79	.031	0.9	1.7	4.1	
	<b>MGR 4 B1.0 L10</b>	51	10	1.0	.039	1.0	1.7	4.1	
	<b>MGR 4 B1.0 L15</b>	51	15	1.0	.039	1.0	1.7	4.1	
	<b>MGR 4 B1.0 L22</b>	51	22	1.0	.039	1.0	1.7	4.1	
	<b>MGR 4 B1.5 L10</b>	51	10	1.5	.059	1.0	1.7	4.1	
	<b>MGR 4 B1.5 L15</b>	51	15	1.5	.059	1.0	1.7	4.1	
5.0	<b>MGR 5 B0.79 L15</b>	51	15	0.79	.031	1.0	2.3	5.1	SIM ...H5
	<b>MGR 5 B0.79 L22</b>	51	22	0.79	.031	1.0	2.3	5.1	
	<b>MGR 5 B1.0 L15</b>	51	15	1.0	.039	1.2	2.3	5.1	
	<b>MGR 5 B1.0 L22</b>	51	22	1.0	.039	1.2	2.3	5.1	
	<b>MGR 5 B1.19 L15</b>	51	15	1.19	.047	1.2	2.3	5.1	
	<b>MGR 5 B1.19 L22</b>	51	22	1.19	.047	1.2	2.3	5.1	
	<b>MGR 5 B1.5 L15</b>	51	15	1.5	.059	1.2	2.3	5.1	
	<b>MGR 5 B1.5 L22</b>	51	22	1.5	.059	1.2	2.3	5.1	
	<b>MGR 5 B1.59 L15</b>	51	15	1.59	.063	1.2	2.3	5.1	
	<b>MGR 5 B1.59 L22</b>	51	22	1.59	.063	1.2	2.3	5.1	
	<b>MGR 5 B2.0 L15</b>	51	15	2.0	.079	1.2	2.3	5.1	
	<b>MGR 5 B2.0 L22</b>	51	22	2.0	.079	1.2	2.3	5.1	

Upínací držáky na straně 33

## MGR nůž *Zapichování*

D	Objednací číslo	L	L1	B		H	F	Min. Ø	Držák
				mm	palce				
6.0	<b>MGR 6 B1.0 L15</b>	51	15	1.0	.039	1.4	2.8	6.1	SIM ...H6
	<b>MGR 6 B1.0 L22</b>	51	22	1.0	.039	1.4	2.8	6.1	
	<b>MGR 6 B1.5 L15</b>	51	15	1.5	.059	1.4	2.8	6.1	
	<b>MGR 6 B1.5 L22</b>	51	22	1.5	.059	1.4	2.8	6.1	
	<b>MGR 6 B2.0 L15</b>	51	15	2.0	.079	1.4	2.8	6.1	
	<b>MGR 6 B2.0 L22</b>	51	22	2.0	.079	1.4	2.8	6.1	
6.0	<b>MGR 6 B0.79 L17</b>	51	17	0.79	.031	1.8	2.8	6.1	SIM ...H6
	<b>MGR 6 B0.79 L23</b>	51	23	0.79	.031	1.8	2.8	6.1	
	<b>MGR 6 B1.0 L17</b>	51	17	1.0	.039	1.8	2.8	6.1	
	<b>MGR 6 B1.19 L17</b>	51	17	1.19	.047	1.8	2.8	6.1	
	<b>MGR 6 B1.19 L23</b>	51	23	1.19	.047	1.8	2.8	6.1	
	<b>MGR 6 B1.5 L17</b>	51	17	1.5	.059	1.8	2.8	6.1	
	<b>MGR 6 B1.5 L23</b>	51	23	1.5	.059	1.8	2.8	6.1	
	<b>MGR 6 B1.59 L17</b>	51	17	1.59	.063	1.8	2.8	6.1	
	<b>MGR 6 B1.59 L23</b>	51	23	1.59	.063	1.8	2.8	6.1	
	<b>MGR 6 B2.0 L17</b>	51	17	2.0	.079	1.8	2.8	6.1	
<b>MGR 6 B2.0 L23</b>	51	23	2.0	.079	1.8	2.8	6.1		
7.0	<b>MGR 7 B1.0 L15</b>	62	15	1.0	.039	2.5	3.3	7.1	SIM ...H7
	<b>MGR 7 B1.0 L22</b>	62	22	1.0	.039	2.5	3.3	7.1	
	<b>MGR 7 B1.0 L30</b>	62	30	1.0	.039	2.5	3.3	7.1	
	<b>MGR 7 B1.19 L22</b>	62	22	1.19	.047	2.5	3.3	7.1	
	<b>MGR 7 B1.19 L30</b>	62	30	1.19	.047	2.5	3.3	7.1	
	<b>MGR 7 B1.5 L15</b>	62	15	1.5	.059	2.5	3.3	7.1	
	<b>MGR 7 B1.5 L22</b>	62	22	1.5	.059	2.5	3.3	7.1	
	<b>MGR 7 B1.5 L30</b>	62	30	1.5	.059	2.5	3.3	7.1	
	<b>MGR 7 B1.59 L22</b>	62	22	1.59	.063	2.5	3.3	7.1	
	<b>MGR 7 B1.59 L30</b>	62	30	1.59	.063	2.5	3.3	7.1	
	<b>MGR 7 B2.0 L15</b>	62	15	2.0	.079	2.5	3.3	7.1	
	<b>MGR 7 B2.0 L22</b>	62	22	2.0	.079	2.5	3.3	7.1	
	<b>MGR 7 B2.0 L30</b>	62	30	2.0	.079	2.5	3.3	7.1	
	8.0	<b>MGR 8 B1.0 L22</b>	64	22	1.0	.039	1.7	3.8	
<b>MGR 8 B1.5 L22</b>		64	22	1.5	.059	1.7	3.8	8.1	
<b>MGR 8 B2.0 L15</b>		64	15	2.0	.079	2.6	3.8	8.1	
<b>MGR 8 B2.0 L22</b>		64	22	2.0	.079	2.6	3.8	8.1	
<b>MGR 8 B2.38 L15</b>		64	15	2.38	.094	2.6	3.8	8.1	
<b>MGR 8 B2.38 L22</b>		64	22	2.38	.094	2.6	3.8	8.1	

Tolerance: B  $\pm$ 0.025 mm / .001"

Příklad objednávky: MGR 5 B1.5 L15 BXC

Upínací držáky na straně 33 MGL namísto MGR

Upínací držáky na straně 33