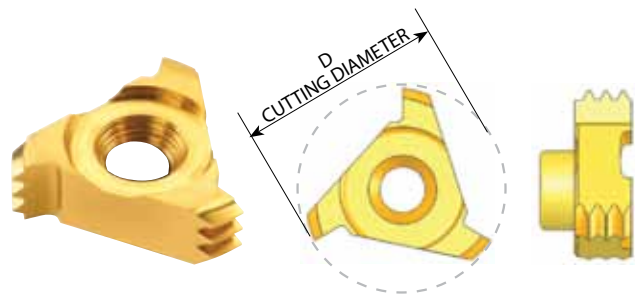


Full Profile - UN

Inserts for internal thread



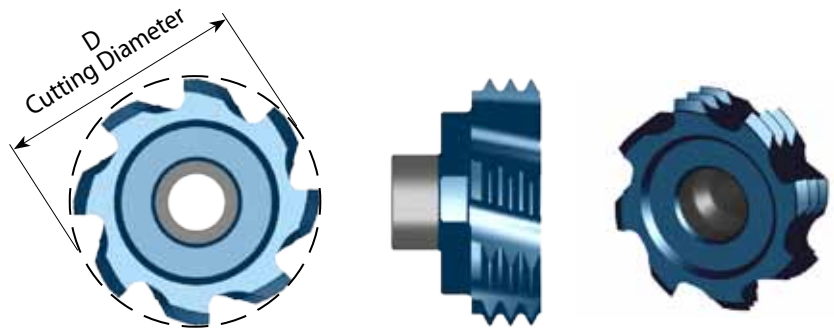
Insert Type	Pitch TPI	Nominal Size	UNC	UNF	UNEF	Ordering Code	Number of Teeth	D	Holder Code
C10	20			1/2		C10 I 20 UN	2	10.0	H1, 2, 12, 13
	18			9/16		C10 I 18 UN	2	10.0	
	13		1/2			C10 I 13 UN	1	10.0	H1, 2, 12
	12	5/8, 11/16, 3/4	9/16			C10 I 12 UN	1	10.0	
C12	32	9/16, 5/8				C12 I 32 UN	3	12.0	H3, 4, 5, 14, 15
	28	9/16, 5/8, 11/16				C12 I 28 UN	3	12.0	
	24				9/16, 5/8, 11/16	C12 I 24 UN	2	12.0	
	20	9/16, 5/8, 11/16			3/4	C12 I 20 UN	2	12.0	
	18			5/8		C12 I 18 UN	2	12.0	
	16	5/8, 11/16		3/4		C12 I 16 UN	1	12.0	
	11		5/8			C12 I 11 UN	1	12.0	H3, 4, 5, 14
	10		3/4			C12 I 10 UN	1	12.0	
C18	32	3/4, 13/16, 7/8				C18 I 32 UN	6	17.8	H6, 7, 8, 9, 16
	28	3/4, 13/16, 7/8				C18 I 28 UN	5	17.8	
	24					C18 I 24 UN	4	17.8	
	20	1 1/16, 1 1/8			13/16, 7/8, 15/16	C18 I 20 UN	3	17.8	
	18					C18 I 18 UN	3	17.8	
	16	7/8, 1				C18 I 16 UN	3	17.8	
	14			7/8		C18 I 14 UN	2	17.8	
	12	7/8		1, 1 1/8		C18 I 12 UN	2	17.8	
	11					C18 I 11 UN	2	17.8	
	9		7/8			C18 I 9 UN	1	17.8	
C25	8	1 3/16, 1 1/4, 1 5/16				C25 I 8 UN	2	25.0	H10, 11, 17, 18
	7		1 1/4			C25 I 7 UN	1	25.0	
	6	1 7/16, 1 9/16	1 3/8, 1 1/2			C25 I 6 UN	1	25.0	
	5		1 3/4			C25 I 5 UN	1	25.0	
	4		2 1/2, 2 3/4			C25 I 4 UN	1	25.0	

* For complete toolholder description see pages 193 and 194

Full Profile - UN

Inserts for internal thread

Multi Flute



Insert Type	Ordering Code	Pitch TPI	Nominal size	UNC	UNF	UNEF	Number of Teeth	D	No. of Flutes	Holder Code
S20	S160 H 24 UN	24				11/16	4	16.0	8	H6, 7, 8, 9, 16
	S169 H 20 UN	20				3/4, 13/16, 7/8, 15/16, 1	4	16.9	8	
	S164 F 16 UN	16	7/8, 15/16, 1		3/4		3	16.4	6	
	S191 F 14 UN	14			7/8		2	19.1	6	
	S186 F 12 UN	12	7/8, 15/16		1		2	18.6	6	
	S178 F 9 UN	9		7/8			1	17.8	6	
	S200 F 8 UN	8	1 1/8	1			1	20.0	6	
	S200 F 7 UN	7		1 1/8, 1 1/4			1	20.0	6	
	S200 E 6 UN	6	1 7/16	1 3/8, 1 1/2			1	20.0	5	
	S200 D 5 UN	5		1 3/4			1	20.0	4	
S35	S350 F 4 UN	4		2 1/2, 2 3/4, 3			1	35.0	6	H19, 20, 21

* For complete toolholder description see pages 193 and 194