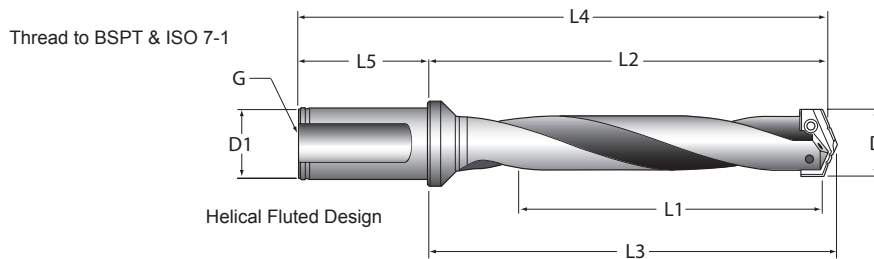




3 Series Holders

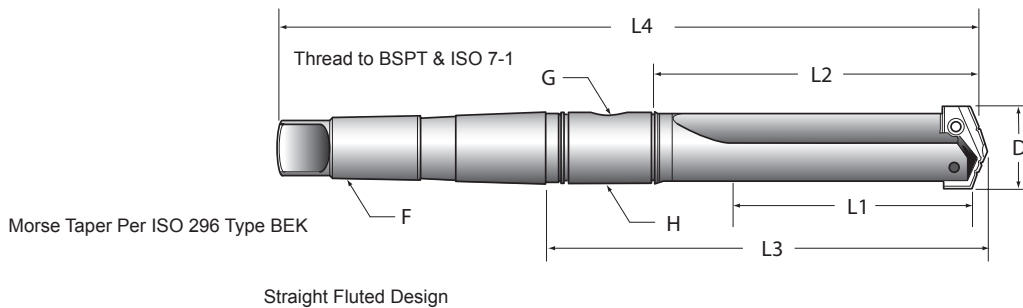


Flanged Straight Shank

Available Ex-Stock

Part Number	Holder Type	Flute Type	D	L1	L2	L3	L4	L5	D1	G	*
			Drill Range D (mm)	Max Drill Depth (mm)	Body Length (mm)	New Tool Ref Length (mm)	Overall Length (mm)	Shank Length (mm)	Shank Diameter (mm)	Pipe Tap	
21030S-40FM	Stub	Straight	36.00-47.00	76.2	125	129.8	195.0	70	40.0	1/4"	1/4"
22030S-40FM	Short	Straight	36.00-47.00	121	173	177.8	243.0	70	40.0	1/4"	N/A
23030H-40FM	Intermediate	Helical	36.00-47.00	165	217.5	222.3	287.5	70	40.0	1/4"	N/A
24030H-40FM	Standard	Helical	36.00-47.00	210	261.9	266.7	331.9	70	40.0	1/4"	N/A
⚠ 25030S-40FM	Extended	Straight	36.00-47.00	349	401.6	406.4	471.6	70	40.0	1/4"	N/A
⚠ 27030S-40FM	XL	Straight	36.00-47.00	558	611.1	615.9	681.1	70	40.0	1/4"	N/A
⚠ 29030S-40FM	3XL	Straight	36.00-47.00	787	839.7	844.5	909.7	70	40.0	1/4"	N/A

*Note: Stub Length includes additional side coolant port.



Taper Shank

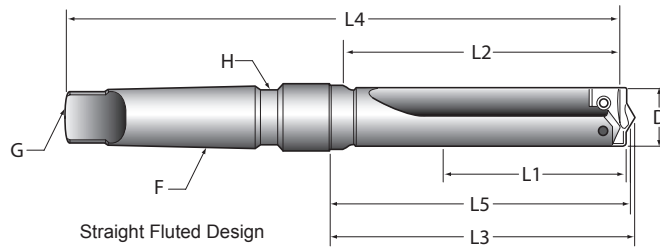
Available Ex-Stock

Part Number	Holder Type	Flute Type	D	L1	L2	L3	L4	F	H	G
			Drill Range (mm)	Max Drill Depth (mm)	Body Length (mm)	New Tool Length (mm)	Overall Length (mm)	MT	RCA	Pipe Tap
22030S-004M	Short	Straight	36.00-47.00	121	152.4	206.4	319.1	4	4SRM	1/4"
23030H-004M	Intermediate	Helical	36.00-47.00	165	196.9	250.9	363.6	4	4SRM	1/4"
24030H-004M	Standard	Helical	36.00-47.00	210	241.3	295.3	408	4	4SRM	1/4"
⚠ 25030S-004M	Extended	Straight	36.00-47.00	349	381	435	547.7	4	4SRM	1/4"
⚠ 27030S-004I	XL	Straight	36.00-47.00	558	590.6	644.6	757.2	4	4SRM	1/4"
⚠ 29030S-004I	3XL	Straight	36.00-47.00	787	819.2	873.2	985.8	4	4SRM	1/4"

⚠ WARNING For Deep Hole Drilling Guidelines refer to page 83 in the Technical Section.
 Visit www.alliedmaxcut.com for the most up-to-date information and procedures.
 Technical assistance is available for your specific applications from our Application Engineering Team.

For Holder Accessories please see pages 84 - 88.

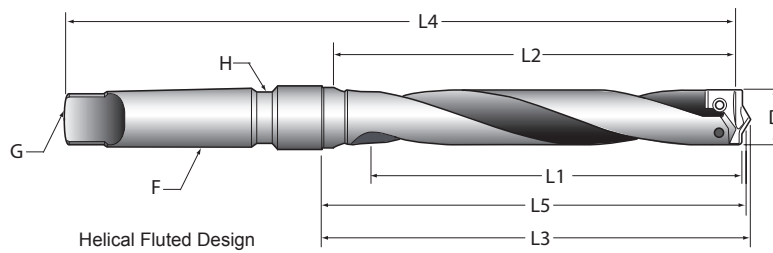
3 Series Structural Steel Holders



Short Length – Taper Shank Holders – Straight Flute

Part Number	D	L1	L2	L3	L5*	L4	F	Coolant Inlet		Stk.
	Min. Drill Dia. mm	Max. Drill Depth. mm	Body Length (mm)	Ref Length mm	Ref Length mm	Overall Length mm	MT	Through Tang Coolant	Through Shank Coolant	
	22030S-004IS126	39	121	152	165.1	163.5	276	4	TTC	

*Note: Dimension if using a Structural Steel Holder with GEN2 & Structural Steel T-A® Drill Insert Geometry.



Standard Length – Taper Shank Holders – Helical Flute

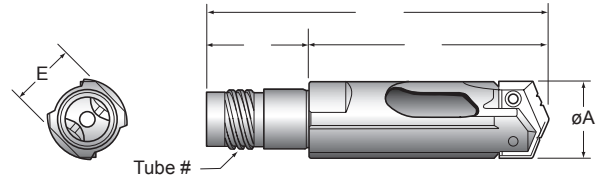
Part Number	D	L1	L2	L3	L5*	L4	F	Coolant Inlet		Stk.
	Min. Drill Dia. mm	Max. Drill Depth. mm	Body Length (mm)	Ref Length mm	Ref Length mm	Overall Length mm	MT	Through Tang Coolant	Through Shank Coolant	
	24030H-004IS126	35	165	197	209.6	207.9	321	4	TTC	

*Note: Dimension if using a Structural Steel Holder with GEN2 & Structural Steel T-A® Drill Insert Geometry.

For Holder Accessories please see pages 84 - 88.



3 Series Drill and Tubes



T-A & BENZ T-A
GENSYS
APX
Revolution & Core Drill
ASC 320 Solid Carbide
AccuPort 432
Criterion
Thread Milling
Special Tooling

Metric Heads

T-A® Series	Head Item Number	Tube Size	A	B	C	D	E	Stk.
			Diameter Range (mm)	Reference Length (mm)	Shank Length (mm)	Overall Length (mm)	Wrench Flat (mm)	
3	BTA3-807-xx.xx	807	35.06-36.22	96.8	36	132.8	30	◆
	BTA3-808-xx.xx	808	36.23-39.62	100	44.5	144.4	32	◆
	BTA3-809-xx.xx	809	39.63-43.00	103.1	43	146.2	36	◆
	BTA3-810-xx.xx	810	43.01-47.01	101.9	43	144.9	41	◆
	BTA3-811-xx.xx	811	47.02-47.80	103.2	43	146.2	41	◆

Imperial Heads

T-A® Series	Head Item Number	Tube Size	A	B	C	D	E	Stk.
			Diameter Range (inch)	Reference Length (inch)	Shank Length (inch)	Overall Length (inch)	Wrench Flat (mm)	
3	BTA3-807-x.xxxx	807	1.3801-1.4259	3-13/16	1-27/64	5-15/64	30	◆
	BTA3-808-x.xxxx	808	1.4260-1.5599	3-15/16	1-3/4	5-11/16	32	◆
	BTA3-809-x.xxxx	809	1.5600-1.6929	4-1/16	1-11/16	5-3/4	36	◆
	BTA3-810-x.xxxx	810	1.6930-1.8509	4-1/64	1-11/16	5-45/64	41	◆
	BTA3-811-x.xxxx	811	1.8510-1.8820	4-1/16	1-11/16	5-3/4	41	◆



Metric Tubes

Tube Size	Tube Item Number	Metric				Stk.
		Diameter Range (mm)	Tube OD (mm)	Tube ID (mm)	Length (mm)	
807	BTAT807-102	33.31-36.20	30.0	20.0	2591	○
808	BTAT808-102	36.21-39.60	33.0	23.0	2591	○
809	BTAT809-102	39.61-42.98	36.0	25.0	2591	○
810	BTAT810-102	42.99-46.99	39.0	28.0	2591	○
811	BTAT811-102	47.00-47.80	43.0	31.0	2591	○

Imperial Tubes

Tube Size	Tube Item Number	Imperial				Stk.
		Diameter Range (inch)	Tube OD (inch)	Tube ID (inch)	Length (inch)	
807	BTAT807-102	1.312-1.425	1.181	0.787	102	○
808	BTAT808-102	1.426-1.559	1.299	0.906	102	○
809	BTAT809-102	1.560-1.692	1.417	0.984	102	○
810	BTAT810-102	1.693-1.850	1.535	1.102	102	○
811	BTAT811-102	1.851-1.882	1.693	1.220	102	○

Stk. - Stock Availability.

- Stock Item.
- Stocked in limited quantities, advanced planning is recommended.
- ◆ Non-stock standard. Normal delivery 15 to 20 days.

Any non-standard size available.



+44 (0)1384 400 900



+44 (0)1384 400 105



enquiries@alliedmaxcut.com



www.alliedmaxcut.com

3 Series Inserts

Diameter Range 34.37 to 47.80mm



Grade	Diameter		Part Number, Coating and Availability	
	Ø mm	Ø Inch	AM200®	Stk.
HSS Super Cobalt	35.72	1.4063	153H-0113	◆
	36.00	1.4173	153H-36	○
	36.51	1.4375	153H-0114	◆
	37.00	1.4567	153H-37	○
	37.31	1.4688	153H-0115	◆
	38.00	1.4961	153H-38	○
	38.10	1.5000	153H-0116	◆
	38.89	1.5313	153H-0117	◆
	39.00	1.5354	153H-39	○
	39.69	1.5625	153H-0118	◆
	40.00	1.5748	153H-40	○
	40.48	1.5938	153H-0119	◆
	41.00	1.6142	153H-41	○
	41.28	1.6250	153H-0120	◆
	42.00	1.6535	153H-42	○
	42.07	1.6563	153H-0121	◆
	42.86	1.6875	153H-0122	◆
	43.00	1.6929	153H-43	○
	43.66	1.7188	153H-0123	◆
	44.00	1.7323	153H-44	○
	44.45	1.7500	153H-0124	◆
	45.00	1.7717	153H-45	○
	45.24	1.7813	153H-0125	◆
	46.00	1.8110	153H-46	○
46.04	1.8125	153H-0126	◆	
46.83	1.8438	153H-0127	◆	
47.00	1.8504	153H-47	○	
47.63	1.8750	153H-0128	◆	

Supplied in packs of 1



Grade	Diameter		Part Number, Coating and Availability			
	Ø mm	Ø Inch	TiN	Stk.	TiAlN	Stk.
K20 (C2) Carbide	35.72	1.4063	1C23T-0113	○	1C23A-0113	○
	36.00	1.4173	1C23T-36	○	1C23A-36	●
	36.51	1.4375	1C23T-0114	○	1C23A-0114	○
	37.00	1.4567	1C23T-37	○	1C23A-37	●
	37.31	1.4688	1C23T-0115	○	1C23A-0115	○
	38.00	1.4961	1C23T-38	○	1C23A-38	●
	38.10	1.5000	1C23T-0116	○	1C23A-0116	○
	38.89	1.5313	1C23T-0117	○	1C23A-0117	○
	39.00	1.5354	1C23T-39	○	1C23A-39	●
	39.69	1.5625	1C23T-0118	○	1C23A-0118	○
	40.00	1.5748	1C23T-40	○	1C23A-40	●
	40.48	1.5938	1C23T-0119	○	1C23A-0119	○
	41.00	1.6142	1C23T-41	○	1C23A-41	●
	41.28	1.6250	1C23T-0120	○	1C23A-0120	○
	42.00	1.6535	1C23T-42	○	1C23A-42	●
	42.07	1.6563	1C23T-0121	○	1C23A-0121	○
	42.86	1.6875	1C23T-0122	○	1C23A-0122	○
	43.00	1.6929	1C23T-43	○	1C23A-43	●
	43.66	1.7188	1C23T-0123	○	1C23A-0123	○
	44.00	1.7323	1C23T-44	○	1C23A-44	●
	44.45	1.7500	1C23T-0124	○	1C23A-0124	○
	45.00	1.7717	1C23T-45	○	1C23A-45	●

Supplied in packs of 1

Geometries available as non-stock standard

- BR - HR
- CI - NC
- CR - SK
- HI - WC

(see page 11 for details)

Coatings available as non-stock standard

- T - TiN
- N - TiCN
- A - TiAlN

(see page 10 for details)

Geometries available as non-stock standard

- BR - IN
- CI - NC
- CN - NP
- CR - RN
- HI - SK
- HR - WC

(see page 11 for details)

Coatings available as non-stock standard

- H - AM200®
- N - TiCN

(see page 10 for details)



3 Series Inserts

Diameter Range 34.37 to 47.80mm



Grade	Diameter		Part Number, Coating and Availability			
	Ø mm	Ø Inch	TiN	Stk.	TiAlN	Stk.
K20 (C2) Carbide	45.24	1.7813	1C23T-0125	○	1C23A-0125	○
	46.00	1.8110	1C23T-46	○	1C23A-46	●
	46.04	1.8125	1C23T-0126	○	1C23A-0126	○
	46.83	1.8438	1C23T-0127	○	1C23A-0127	○
	47.00	1.8504	1C23T-47	○	1C23A-47	●
	47.63	1.8750	1C23T-0128	○	1C23A-0128	○
P40 (C5) Carbide	35.72	1.4063	1C53T-0113	○	1C53A-0113	○
	36.00	1.4173	1C53T-36	○	1C53A-36	○
	36.51	1.4375	1C53T-0114	○	1C53A-0114	○
	37.00	1.4567	1C53T-37	○	1C53A-37	○
	37.31	1.4688	1C53T-0115	○	1C53A-0115	○
	38.00	1.4961	1C53T-38	○	1C53A-38	○
	38.10	1.5000	1C53T-0116	○	1C53A-0116	○
	38.89	1.5313	1C53T-0117	○	1C53A-0117	○
	39.00	1.5354	1C53T-39	○	1C53A-39	○
	39.69	1.5625	1C53T-0118	○	1C53A-0118	○
	40.00	1.5748	1C53T-40	○	1C53A-40	○
	40.48	1.5938	1C53T-0119	○	1C53A-0119	○
	41.00	1.6142	1C53T-41	○	1C53A-41	○
	41.28	1.6250	1C53T-0120	○	1C53A-0120	○
	42.00	1.6535	1C53T-42	○	1C53A-42	○
	42.07	1.6563	1C53T-0121	○	1C53A-0121	○
	42.86	1.6875	1C53T-0122	○	1C53A-0122	○
	43.00	1.6929	1C53T-43	○	1C53A-43	○
	43.66	1.7188	1C53T-0123	○	1C53A-0123	○
	44.00	1.7323	1C53T-44	○	1C53A-44	○
	44.45	1.7500	1C53T-0124	○	1C53A-0124	○
	45.00	1.7717	1C53T-45	○	1C53A-45	○
	45.24	1.7813	1C53T-0125	○	1C53A-0125	○
	46.00	1.8110	1C53T-46	○	1C53A-46	○
46.04	1.8125	1C53T-0126	○	1C53A-0126	○	
46.83	1.8438	1C53T-0127	○	1C53A-0127	○	
47.00	1.8504	1C53T-47	○	1C53A-47	○	
47.63	1.8750	1C53T-0128	○	1C53A-0128	○	

Geometries available as non-stock standard

- BR - IN
 - CI - NC
 - CN - NP
 - CR - RN
 - HI - SK
 - HR - WC
- (see page 11 for details)

Coatings available as non-stock standard

- H - AM200®
 - N - TiCN
- (see page 10 for details)

Supplied in packs of 1



Spot & Chamfer

Grade	Diameter		Part Number, Coating and Availability	
	Ø mm	Ø Inch	TiN	Stk.
HSS Super Cobalt	35.72	1.4063	153T-0113-SP	◆
	36.00	1.4173	153T-36-SP	◆
	36.51	1.4375	153T-0114-SP	◆
	37.00	1.4567	153T-37-SP	◆
	37.31	1.4688	153T-0115-SP	◆
	38.00	1.4961	153T-38-SP	◆
	38.10	1.5000	153T-0116-SP	◆
	38.89	1.5313	153T-0117-SP	◆
	39.00	1.5354	153T-39-SP	◆
	39.69	1.5625	153T-0118-SP	◆
	40.00	1.5748	153T-40-SP	◆
	40.48	1.5938	153T-0119-SP	◆
	41.00	1.6142	153T-41-SP	◆
	41.28	1.6250	153T-0120-SP	◆
	42.00	1.6535	153T-42-SP	◆
	42.07	1.6563	153T-0121-SP	◆
42.86	1.6875	153T-0122-SP	◆	

Geometries available as non-stock standard

- SW
- (see page 11 for details)

Coatings available as non-stock standard

- A - TiAlN
- H - AM200®
- N - TiCN

(see page 10 for details)

Supplied in packs of 1

3 Series Inserts

Diameter Range 34.37 to 47.80mm



Spot & Chamfer

Grade	Diameter		Part Number, Coating and Availability	
	Ø mm	Ø Inch	TiN	Stk.
HSS Super Cobalt	43.00	1.6929	153T-43-SP	◆
	43.66	1.7188	153T-0123-SP	◆
	44.00	1.7323	153T-44-SP	◆
	44.45	1.7500	153T-0124-SP	◆
	45.00	1.7717	153T-45-SP	◆
	45.24	1.7813	153T-0125-SP	◆
	46.00	1.8110	153T-46-SP	◆
	46.04	1.8125	153T-0126-SP	◆
	46.83	1.8438	153T-0127-SP	◆
	47.00	1.8504	153T-47-SP	◆
47.63	1.8750	153T-0128-SP	●	

Supplied in packs of 1

Geometries available as non-stock standard

- SW
(see page 11 for details)

Coatings available as non-stock standard

H - AM200®
(see page 10 for details)



Flat Bottom

Grade	Diameter		Part Number, Coating and Availability	
	Ø mm	Ø Inch	TiN	Stk.
HSS Super Cobalt	35.72	1.4063	153T-0113-FB	○
	36.00	1.4173	153T-36-FB	●
	36.51	1.4375	153T-0114-FB	○
	37.00	1.4567	153T-37-FB	○
	37.31	1.4688	153T-0115-FB	○
	38.00	1.4961	153T-38-FB	●
	38.10	1.5000	153T-0116-FB	○
	38.89	1.5313	153T-0117-FB	○
	39.00	1.5354	153T-39-FB	●
	39.69	1.5625	153T-0118-FB	○
	40.00	1.5748	153T-40-FB	●
	40.48	1.5938	153T-0119-FB	○
	41.00	1.6142	153T-41-FB	●
	41.28	1.6250	153T-0120-FB	○
	42.00	1.6535	153T-42-FB	●
	42.07	1.6563	153T-0121-FB	○
	42.86	1.6875	153T-0122-FB	○
	43.00	1.6929	153T-43-FB	●
	43.66	1.7188	153T-0123-FB	○
	44.00	1.7323	153T-44-FB	●
	44.45	1.7500	153T-0124-FB	○
	45.00	1.7717	153T-45-FB	●
	45.24	1.7813	153T-0125-FB	○
	46.00	1.8110	153T-46-FB	●
	46.04	1.8125	153T-0126-FB	○
	46.83	1.8438	153T-0127-FB	○
	47.00	1.8504	153T-47-FB	●
	47.63	1.8750	153T-0128-FB	○

Supplied in packs of 1

Geometries available as non-stock standard

- FN
(see page 11 for details)

Coatings available as non-stock standard

H - AM200®
(see page 10 for details)

P	M	K	N	S	H
Steel N/mm ²	Stainless Steel N/mm ²	Cast and Ductile Iron N/mm ²	Non-ferrous Material N/mm ²	High Temperature Materials N/mm ²	Hardened Materials N/mm ²
<1365	<940	<1020	<855	<990	<1365

For further information on Material, Hardnesses and Cutting Data, please refer to the Technical Section from page 90.

Stk. - Stock Availability.

- Stock Item.
- Stocked in limited quantities, advanced planning is recommended.
- ◆ Non-stock standard. Normal delivery 15 to 20 days.

Any non-standard size available.



3 Series Inserts

Diameter Range 34.37 to 47.80mm



Thin Wall (for Structural Steel material up to 6mm thick)

Grade	Diameter		Part Number, Coating and Availability			
	Ø mm	Ø Inch	TiAIN	Stk.	AM200®	Stk.
HSS Super Cobalt	36.51	1.4375	153A-0114-TW	○	153H-0114-TW	○
	38.10	1.5000	153A-0116-TW	○	153H-0116-TW	○
	39.00	1.5354	153A-39-TW	●	153H-39-TW	●
	39.69	1.5625	153A-0118-TW	○	153H-0118-TW	○

Supplied in packs of 1

Coatings available as non-stock standard
 T - TiN
 N - TiCN
 (see page 10 for details)



Notch Point (for Structural Steel material over 6mm thick)

Grade	Diameter		Part Number, Coating and Availability			
	Ø mm	Ø Inch	TiAIN	Stk.	AM200®	Stk.
HSS Super Cobalt	36.51	1.4375	153A-0114-NP	○	153H-0114-NP	○
	38.10	1.5000	153A-0116-NP	○	153H-0116-NP	○
	39.00	1.5354	153A-39-NP	●	153H-39-NP	●
	39.69	1.5625	153A-0118-NP	○	153H-0118-NP	○

Supplied in packs of 1

Coatings available as non-stock standard
 T - TiN
 N - TiCN
 (see page 10 for details)



150° Structural Steel (reduced exit burr on Structural Steel material over 6mm thick)

Grade	Diameter		Part Number, Coating and Availability			
	Ø mm	Ø Inch	TiAIN	Stk.	AM200®	Stk.
HSS Super Cobalt	36.51	1.4375	153A-0114-SS	○	153H-0114-SS	○
	38.10	1.5000	153A-0116-SS	○	153H-0116-SS	○
	39.00	1.5354	153A-39-SS	○	153H-39-SS	○
	39.69	1.5625	153A-0118-SS	○	153H-0118-SS	○

Supplied in packs of 1

Coatings available as non-stock standard
 T - TiN
 N - TiCN
 (see page 10 for details)



Grade	Diameter		Part Number, Coating and Availability	
	Ø mm	Ø Inch	TiN	Stk.
HSS CPM-M4	35.72	1.4063	433T-0113	○
	36.00	1.4173	433T-36	●
	36.51	1.4375	433T-0114	○
	37.00	1.4567	433T-37	●
	37.31	1.4688	433T-0115	○
	38.00	1.4961	433T-38	●
	38.10	1.5000	433T-0116	○
	38.89	1.5313	433T-0117	○
	39.00	1.5354	433T-39	●
	39.69	1.5625	433T-0118	○
	40.00	1.5748	433T-40	●
	40.48	1.5938	433T-0119	○
	41.00	1.6142	433T-41	●
	41.28	1.6250	433T-0120	○
	42.00	1.6535	433T-42	●
	42.07	1.6563	433T-0121	○
	42.86	1.6875	433T-0122	○
	43.00	1.6929	433T-43	●
	43.66	1.7188	433T-0123	○
	44.00	1.7323	433T-44	●
	44.45	1.7500	433T-0124	○
	45.00	1.7717	433T-45	●
	45.24	1.7813	433T-0125	○
	46.00	1.8110	433T-46	●

Supplied in packs of 1

Geometries available as non-stock standard
 - BR - HR
 - CI - NC
 - CR - SK
 - HE - WC
 - HI
 (see page 11 for details)

Coatings available as non-stock standard
 H - AM200®
 N - TiCN
 A - TiAIN
 (see page 10 for details)



+44 (0)1384 400 900



+44 (0)1384 400 105



enquiries@alliedmaxcut.com



www.alliedmaxcut.com

3 Series Inserts

Diameter Range 34.37 to 47.80mm



GEN2 T-A

Grade	Diameter		Part Number, Coating and Availability	
	Ø mm	Ø Inch	TiN	Stk.
HSS CPM-M4	46.04	1.8125	433T-0126	○
	46.83	1.8438	433T-0127	○
	47.00	1.8504	433T-47	●
	47.63	1.8750	433T-0128	○

Supplied in packs of 1

Geometries available as non-stock standard

- BR - HR
- CI - NC
- CR - SK
- HE - WC
- HI

(see page 11 for details)

Coatings available as non-stock standard

- H - AM200®
 - N - TiCN
 - A - TiAlN
- (see page 10 for details)

GEN2 T-A

Grade	Diameter		Part Number, Coating and Availability			
	Ø mm	Ø Inch	TiN	Stk.	AM200®	Stk.
HSS Super Cobalt	35.72	1.4063	453T-0113	○	453H-0113	○
	36.00	1.4173	453T-36	●	453H-36	●
	36.51	1.4375	453T-0114	○	453H-0114	○
	37.00	1.4567	453T-37	●	453H-37	●
	37.31	1.4688	453T-0115	○	453H-0115	○
	38.00	1.4961	453T-38	●	453H-38	●
	38.10	1.5000	453T-0116	○	453H-0116	○
	38.89	1.5313	453T-0117	○	453H-0117	○
	39.00	1.5354	453T-39	●	453H-39	●
	39.69	1.5625	453T-0118	○	453H-0118	○
	40.00	1.5748	453T-40	●	453H-40	●
	40.48	1.5938	453T-0119	○	453H-0119	○
	41.00	1.6142	453T-41	●	453H-41	●
	41.28	1.6250	453T-0120	○	453H-0120	○
	42.00	1.6535	453T-42	●	453H-42	●
	42.07	1.6563	453T-0121	○	453H-0121	○
	42.86	1.6875	453T-0122	○	453H-0122	○
	43.00	1.6929	453T-43	●	453H-43	●
	43.66	1.7188	453T-0123	○	453H-0123	○
	44.00	1.7323	453T-44	●	453H-44	●
	44.45	1.7500	453T-0124	○	453H-0124	○
	45.00	1.7717	453T-45	●	453H-45	●
	45.24	1.7813	453T-0125	○	453H-0125	○
	46.00	1.8110	453T-46	●	453H-46	●
	46.04	1.8125	453T-0126	○	453H-0126	○
	46.83	1.8438	453T-0127	○	453H-0127	○
	47.00	1.8504	453T-47	●	453H-47	●
	47.63	1.8750	453T-0128	○	453H-0128	○

Supplied in packs of 1

Geometries available as non-stock standard

- BR - HR
- CI - NC
- CR - SK
- HE - WC
- HI

(see page 11 for details)

Coatings available as non-stock standard

- N - TiCN
 - A - TiAlN
- (see page 10 for details)

Grades available as non-stock standard

Premium Cobalt

P	M	K	N	S	H
Steel N/mm ²	Stainless Steel N/mm ²	Cast and Ductile Iron N/mm ²	Non-ferrous Material N/mm ²	High Temperature Materials N/mm ²	Hardened Materials N/mm ²
<1365	<940	<1020	<855	<990	<1365

For further information on Material, Hardnesses and Cutting Data, please refer to the Technical Section from page 90.

Stk. - Stock Availability.

- Stock Item.
- Stocked in limited quantities, advanced planning is recommended.
- ◆ Non-stock standard. Normal delivery 15 to 20 days.

Any non-standard size available.